

Coolant Proof Micrometers MDC-MX Series

*Twice as Long Battery Life and Drastic Improvement in
Measurement Efficiency*



Small Tool Instruments and Data Management



Bulletin No. 2145

Mitutoyo

Coolant Proof Micrometers MDC-MX Series

*Twice as Long Battery Life as before and Drastic Improvement
in Measurement Efficiency*



View the MDC
Proof Micrometer



www.mitutoyo.com

- Approximately 2.4-year span of battery life
 - Newly-improved nonslip surface with raised dots
 - Ratchet thimble type*
- * Refer to the "SPECIFICATIONS" section on page 4.
- Oilproof material employed for plastic parts
 - Compatibility with statistical process control and measurement systems

Mitutoyo

1. Digital micrometer standard type



2. Ratchet Thimble type that has improved operability with one hand



3. Plain Function, Simple design



Digital micrometer standard type

293-333-30

293-331-30

293-330-30

293-332-30

- Approximately 2.4-year span of battery life has been achieved, thus reducing the inconvenience of replacing the battery.
- A nonslip surface with raised dots is employed for the frame cover and surface panel to achieve stable handheld measurement.
- The ratchet thimble mechanism helps to ensure repeatable results by transmitting microvibrations along the spindle to the contact face to provide a constant measuring force and encourage good contact with the workpiece. The ratchet works from the thimble as well as the speeder so it is always easy to use – even when making measurements onehanded.
The sound of the ratchet provides the user with a sense of confidence and the speeder enables the rapid spindle feed needed when measuring widely different dimensions.
- Oilproof materials are used in all plastic components.
- Two types of constant-force devices are available: Ratchet Stop and Ratchet Thimble.



Ratchet Thimble type that has improved operability with one hand



SPECIFICATIONS

Metric							
	Order No.	Range	Accuracy	Parallelism	Measuring force	constant-force device	Mass
With SPC data output	293-230-30	0 - 25mm	±1μm	1μm	5 - 10N	With ratchet stop	270g
	293-231-30	25 - 50mm					330g
	293-232-30	50 - 75mm	±2μm	2μm	7 - 12N*	With ratchet thimble	470g
	293-233-30	75 - 100mm					625g
	293-234-30	0 - 25mm	±1μm	1μm	7 - 12N*	With ratchet thimble	280g
	293-235-30	25 - 50mm					340g
	293-236-30	50-75mm	±2μm	2μm	7 - 12N*	With ratchet thimble	480g
293-237-30	75-100mm	635g					
Without SPC data output	293-240-30	0 - 25mm	±1μm	1μm	5 - 10N	With ratchet stop	270g
	293-241-30	25 - 50mm					330g
	293-242-30	50 - 75mm	±2μm	2μm	5 - 10N	With ratchet stop	470g
	293-243-30	75 - 100mm					625g
	293-244-30	0 - 25mm	±1μm	1μm	7 - 12N*	With ratchet thimble	280g
	293-245-30	25 - 50mm					340g
	293-246-30	50-75mm	±2μm	2μm	7 - 12N*	With ratchet thimble	480g
	293-247-30	75-100mm					635g

Metric			Micrometer Set
Range	Order No.	Included in set	
0-50mm (2pcs. Set)	293-966-30	293-230-30, 293-231-30, 25mm CERA block, plastic case	
0-75mm (3pcs. Set)	293-962-30	293-230-30, 293-231-30, 293-232-30, 2 standard bars, plastic case	
0-100mm (4pcs. Set)	293-963-30	293-230-30, 293-231-30, 293-232-30, 293-233-30, 3 standard bars, wooden box	

Inch/Metric							
	Order No.	Range	Accuracy	Parallelism	Measuring force	constant-force device	Mass
With SPC data output	293-330-30	0-1"	±.00005"	.00004"	5-10N	With ratchet stop	270g
	293-331-30	1-2"					330g
	293-332-30	2-3"	±.0001"	.00008"	7-12N*	With ratchet thimble	470g
	293-333-30	3-4"					625g
	293-334-30	0-1"	±.00005"	.00004"	5-10N	With friction thimble	280g
	293-335-30	0-1"					275g
	293-336-30	1-2"	±.00005"	.00004"	5-10N	With friction thimble	335g
293-340-30	0-1"	270g					
Without SPC data output	293-341-30	1-2"	±.00005"	.00004"	5-10N	With ratchet stop	330g
	293-342-30	2-3"					470g
	293-343-30	3-4"	±.0001"	.00008"	7-12N*	With ratchet thimble	625g
	293-344-30	0-1"					280g
	293-345-30	1-2"	±.00005"	.00004"	7-12N*	With ratchet thimble	340g
	293-346-30	2-3"					480g
	293-347-30	3-4"	±.0001"	.00008"	7-12N*	With ratchet thimble	635g
	293-348-30	0-1"					275g
	293-349-30	0-1"	±.00005"	.00004"	5 - 10N	With friction thimble	275g
	293-349-30	0-1"			7 - 12N*	With ratchet thimble	280g

* Measuring force in the case of using the Speeder ratchet
Prior to measurement, apply a measuring force in the same condition to align the index line with the thimble zero line.

Inch/Metric			Micrometer Set .00005" / 0.001mm graduation model
Range	Order No.	Included in set	
0 - 3" / 0 - 76.2mm (3 pcs. set)	293-960-30	293-330-30, 293-331-30, 293-332-30, 2 standard bars, plastic case	
0 - 4" / 0 - 101.6mm (4 pcs. set)	293-961-30	293-330-30, 293-331-30, 293-332-30, 293-333-30, 3 standard bars, wooden box	



An inspection certificate is supplied as standard. (50mm/2" or less range model)



These marks indicate that a product has successfully passed IP65-level testing, which is carried out by the independent German certification organization TUV Rheinland.

IP Codes

Level 6: Dust-proof.

No ingress of dust allowed.

Level 5: Protected against water jets.

Water projected in jets against the enclosure from any direction shall have no harmful effects.

Technical Data

- **Resolution:** .00005" / 0.001mm
- **Quantizing error:** ±1 is not included.
- **Flatness:** .000012" / 0.3 μm
- **Dust/water protection level:** IP65 (IEC60529) *2
- **Measuring system:** Electromagnetic induction type rotary sensor
- **Battery:** SR44 (1 pc), 938882, for initial operational checks (standard accessory)
- **Battery life:** Approx. 2.4 years under normal use
- **Standard accessories:** Reference bar, 1 pc (except for 0-25mm (0-1") models) Spanner (301336), 1 pc

*2 Rustproofing shall be applied after use.

Coolant Proof Micrometers



Functions

- **Origin point setting** (ABS measurement system)

Resets the ABS origin at the current spindle position to the minimum value of the measuring range and switches to ABS mode.

- **Zero-setting** (INC measurement system)

A brief press on the ZERO/ABS button sets display to zero at the current spindle position and switches to the incremental (INC) measuring mode. A longer press resets to the ABS measuring mode.

- **Hold:**

Pressing the HOLD button freezes the current value in the display. This function is useful for preserving a measurement in situations of poor visibility where the instrument must be moved away from the workpiece before the reading can be recorded.

- **Data output***4:

Models equipped with this function have an output port for transferring measurement data to a Statistical Process Control (SPC) system. *4: Only models with the data output function

- **Auto power ON/OFF:**

The reading on the LCD disappears after this instrument is idle for about 20 minutes, but the reading and measurement mode are retained. Turning the spindle causes the reading to reappear.

- **Error alarm:**

In case of an overflow on the LCD or a computing error, an error message appears on the LCD, and the measuring function stops. This prevents an instrument from giving an erroneous reading. Also, when the battery voltage drops to a certain level, the low-battery-voltage alarm annunciator appears well before the micrometer becomes unusable.

- **Function lock***5:

This function allows the ORIGIN (origin point setting) function and the ZERO (zero-setting) function to be locked to prevent these points being reset accidentally. *5: All-digit preset type only

Optional accessories

(Only for models with data output function)

Printer

Digimatic mini-processor **DP1-VR**

Connecting cables with output switch

05CZA662 SPC cable w/data switch 40" (1m)

05CZA663 SPC cable w/data switch 80" (2m)



USB Input Tool Direct

USB-ITN-B: 06ADV380B (2m)

Wireless interface:

02AZD730D U-WAVE transmitter IP67 type

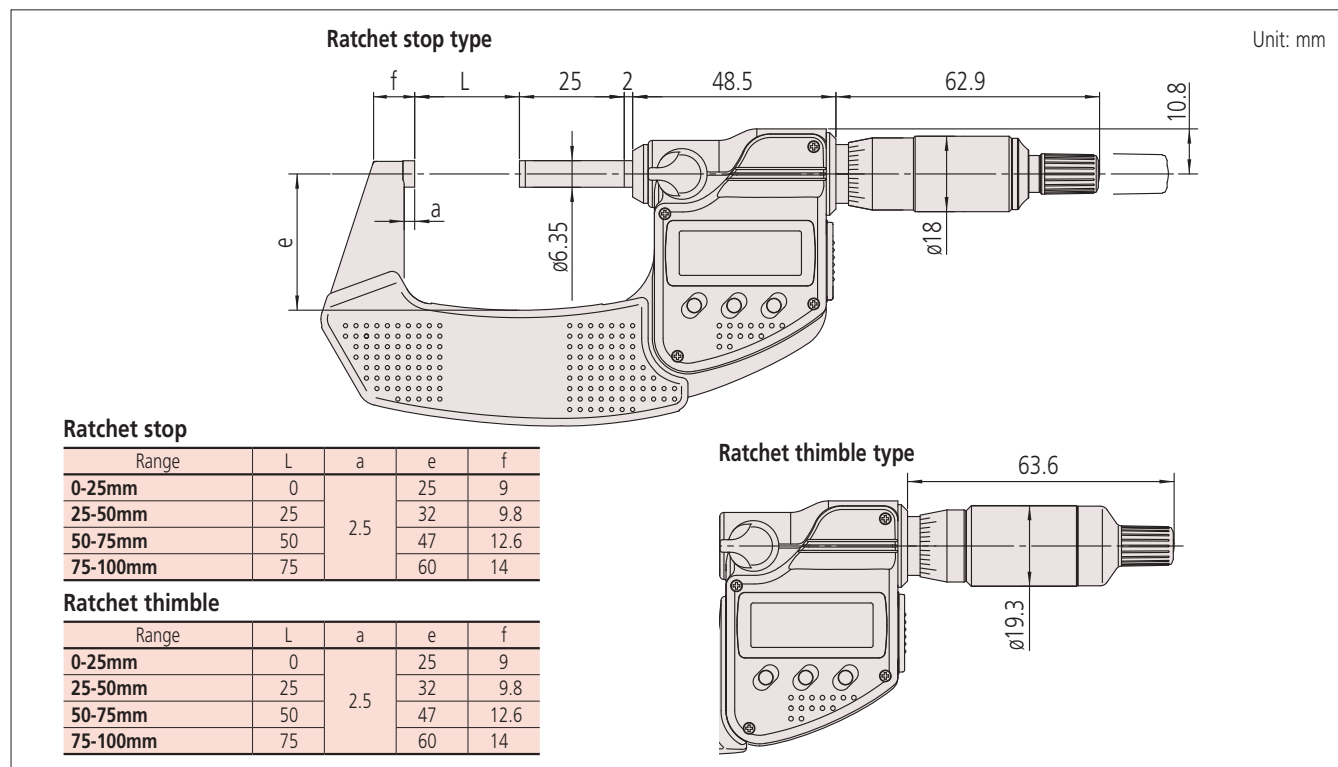
02AZD880D U-WAVE transmitter buzzer type

02AZD810D U-WAVE receiver

02AZD790B U-WAVE connecting cable

02AZE140B Connecting cable for footswitch

DIMENSIONS



Digimatic outside micrometers



Plain Function, Simple design

- Approximately 2.4-year span of battery life has been achieved, thus reducing the inconvenience of replacing the battery.
- Simple design, such as not incorporating data output, achieves low cost.
- Provided only with an origin-set button for easy origin setting.
- Two types of constant-force devices are available: Ratchet Stop and Friction Thimble.



SPECIFICATIONS

Metric					
Order No.	Range	Resolution	Accuracy	constant-force device	Mass
293-821-30	0-25mm	0.001mm	±2µm	With ratchet thimble	270g
Inch/Metric					
Order No.	Range	Resolution	Accuracy	constant-force device	Mass
293-831-30	0-1"	.00005"/0.001mm	±.0001"	With ratchet thimble	270g
293-832-30				With friction thimble	275g

Technical Data

- **Measuring force:** 5 -10N
- **Quantizing error:** ±1 is not included.
- **Measuring system:** Electromagnetic induction type rotary sensor
- **Battery:** SR44 (1 pc), 938882, for initial operational checks (standard accessory)
- **Battery life:** Approx. 2.4 years under normal use

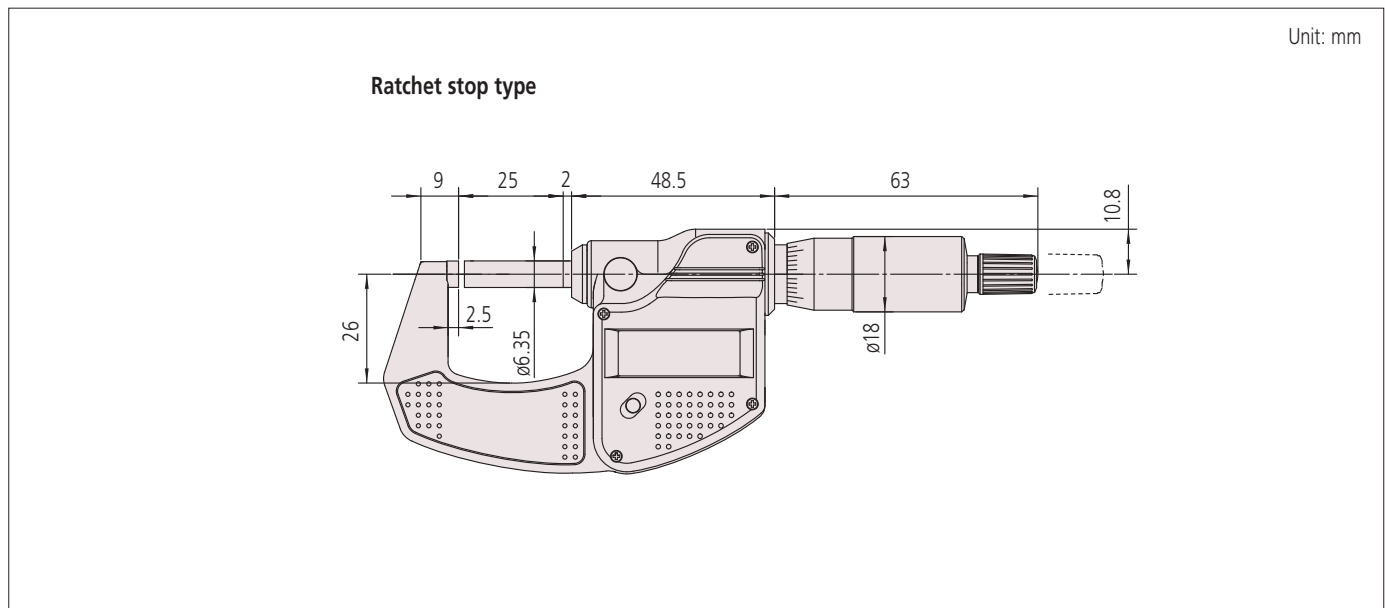


293-832-30



An inspection certificate is supplied as standard.

DIMENSIONS



Coolant Proof Micrometers MDC-MX Series



Coordinate Measuring Machines	=====
Vision Measuring Systems	=====
Form Measurement	=====
Optical Measuring	=====
Sensor Systems	=====
Testing Equipment and Seismometer	=====
Digital Scale and DRO Systems	=====
Small Tool Instruments and Data Management	=====

Mitutoyo America Corporation
www.mitutoyo.com

One Number to Serve You Better
1-888-MITUTOYO (1-888-648-8869)

M³ Solution Centers

Aurora, Illinois

(Corporate Headquarters)

Westford, Massachusetts

Huntersville, North Carolina

Mason, Ohio

Plymouth, Michigan

City of Industry, California

Birmingham, Alabama

Renton, Washington

Houston, Texas

Note: All information regarding our products, and in particular the illustrations, drawings, dimensional and performance data contained in this printed matter as well as other technical data are to be regarded as approximate average values. We therefore reserve the right to make changes to the corresponding designs. The stated standards, similar technical regulations, descriptions and illustrations of the products were valid at the time of printing. In addition, the latest applicable version of our General Trading Conditions will apply. Only quotations submitted by ourselves may be regarded as definitive.

Mitutoyo products are subject to US Export Administration Regulations (EAR). Re-export or relocation of our products may require prior approval by an appropriate governing authority.

Trademarks and Registrations

Designations used by companies to distinguish their products are often claimed as trademarks. In all instances where Mitutoyo America Corporation is aware of a claim, the product names appear in initial capital or all capital letters. The appropriate companies should be contacted for more complete trademark and registration information.

Mitutoyo

Precision is our Profession